

**MINIMUM NESC CLEARANCES
NOT TO BE USED AS CONSTRUCTION STANDARD**

S:\ELECTRIC POLICIES\EXHIBIT B DRAWING.DWG

FIG. 234-2

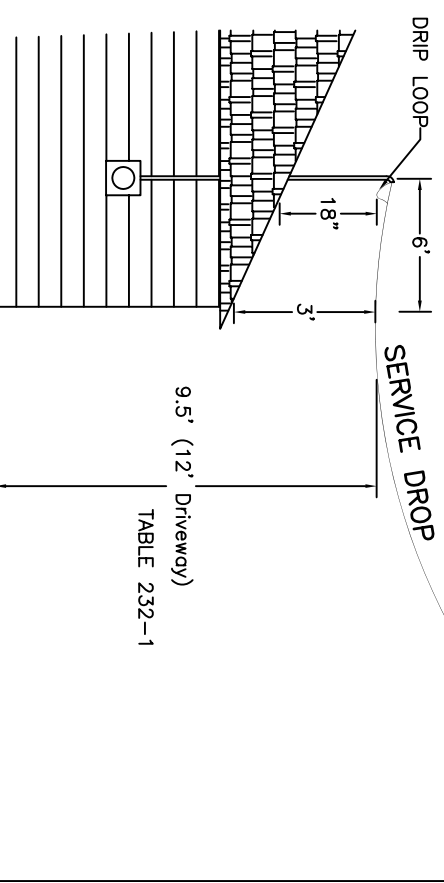


TABLE 232-1

Category	Primary	SEC	NEUTRAL (COMMUN)	OVER STREET ALONG ROAD (NOT CROSSING) DRIVEWAYS PARKING LOTS ALLEYS & FIELDS	PEDESTRIAN ONLY
Clearance	18.5'	18.5'	15.5'	16'	9.5'
Clearance	14.5'	12'	12'	12'	14.5'

TABLE 234-1

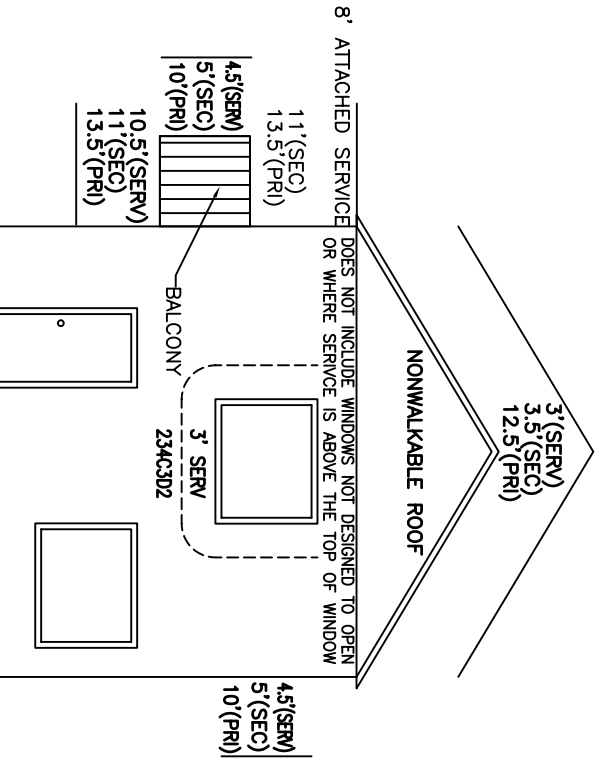
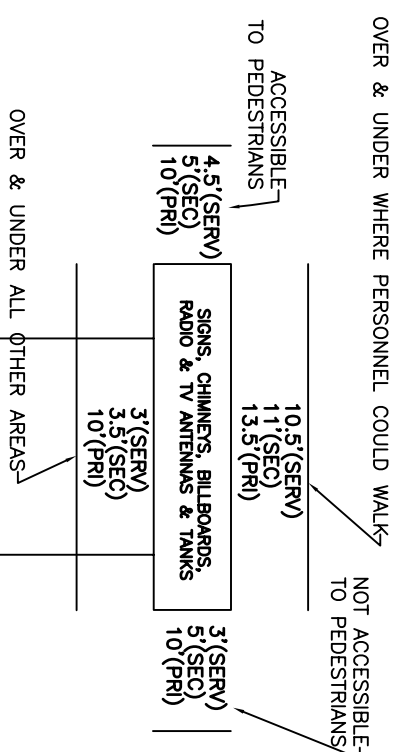
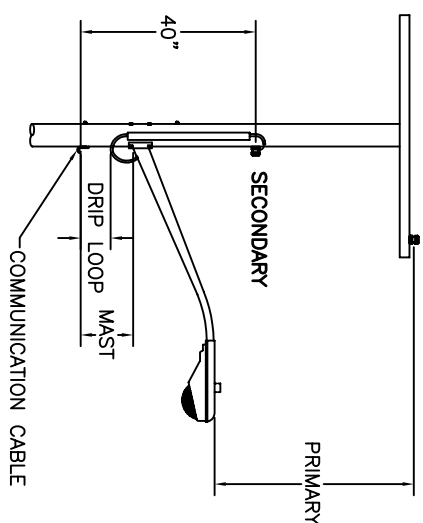


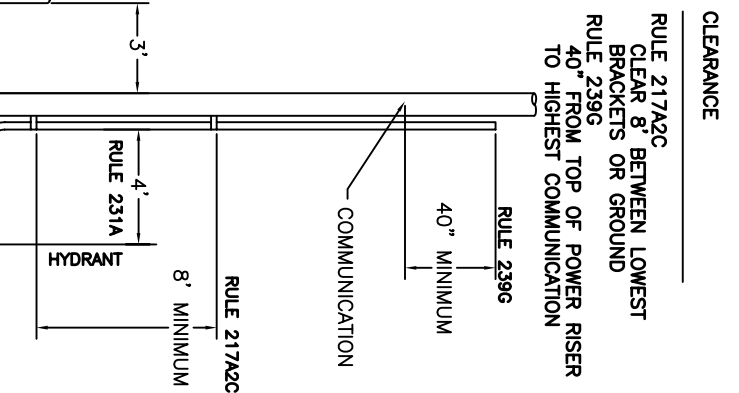
TABLE 234-1



STREET LIGHT



RISER



CLEARANCES TO COMMUNICATIONS

MINIMUM VERTICAL MIDSPAN CLEARANCE BETWEEN POWER SUPPLY CABLES & COMMUNICATION CABLES IS 30" RULE 235C2B1A
BETWEEN SUB FIBER IN COMMUNICATION ZONE & OTHER COMMUNICATION CABLES IS 4" RULE 235H2

MINIMUM VERTICAL CLEARANCE BETWEEN POWER SUPPLY FACILITIES & COMMUNICATION FACILITIES ON THE POLE IS 40" RULE 235C1
TABLE 235-5

MINIMUM CLEARANCE BETWEEN POWER SUPPLY FACILITIES & COMMUNICATION FACILITIES AT THE POINT ATTACHMENT TO THE BUILDING BEING SERVED IS 12" RULE 235C1

MINIMUM VERTICAL CLEARANCE BETWEEN POWER SUPPLY FACILITIES & COMMUNICATION FACILITIES ON DIFFERENT SUPPORTING STRUCTURES IS 24" TABLE 233-1

GROUND ROD SHALL BE FLUSH OR BELOW GROUND LEVEL RULE 94B2C

WHEN FACILITIES PASS WITHIN 5' OF A POLE THEY MUST BE ATTACHED TO THE POLE. CAN BE REDUCED TO 3' FOR COMMUNICATIONS & GUYS. RULE 234B1

POLE TAGS REQUIRED RULE 217A3

SUB POLICY-TREES CLEAR 8' BETWEEN LOWEST BRACKETS OR GROUND RULE 239G
3' NON-CLIMBABLE
1' SECONDARY ATTACHMENT AT POLE
APPROPRIATE MEASURES FOR CONDUCTOR DAMAGE & SERVICE OUTAGE
CLIMBING SPACE QUADRANT OPEN TO PRIMARY, RULE 236

OPUC RECOMMENDS PEDESTALS BE LOCATED A MINIMUM OF 3' FROM THE POLE TO PREVENT A CLIMBING HAZARD

REPORT ABANDONED FACILITIES RULE 214B